

RSK-4182-0CIP RSK-4162-0CIP RSK-4182-0C RSK-4162-0C

1U 19" Rack Mount 8 /16-port Combo
CAT 5 KVM switches over IP

Features

- Integrated 1U 19" Rack Mount KVM Console
- Supports Windows, Linux, Mac OS9/OSX, Sun Microsystems.
- On-Screen-Display (OSD) & Cascade Chain functions.
- OSD is intuitive menus driven for quick and efficient navigation.
- Supports Daisy chain with 3 level cascades: up to 3 levels; control up to 64/256/4096 PCs, from a single console; cascaded units don't need special configuration.
- Emulates PS/2 or USB keyboard on each PC to allow your computers to boot normally without a keyboard error.
- Supports hot-pluggable. All devices connected to the KVM can be added or removed at any time, without shutting the unit down.
- Supports 3 types of switching: Hardware Push Button, Hot-Keys on PS/2 and/or USB of keyboard, Menu driven OSD (On Screen Display).
- Supports Auto-Scan function to switch video inputs automatically among computers in preset intervals sequentially by OSD menu driven.
- Supports LED display for PC and/or server status monitoring.
- Supports VGA resolutions up to 2048 x 1536 Supports Beeper during Switching enabled.
- Fully compliant with the USB 1.1/ 2.0 specification.



CAT 5 Dongle

Introduction

SINETIC offers an ideal enterprise 8-ports combo free Cat5 KVM switches over IP for company server room or testing facilities. SINETIC 8/16-ports combo Cat5 KVM over IP feature the patented design of the availability of USB & PS/2 interface connection, user friendly OSD utility, Daisy chain function, and the flexibility of Firmware-Upgradable function. SINETIC 8/16-ports comboCat5 KVM over IP is the reliable and convenient solution for enterprise with USB connection demand.

Specification

Number of PC Supported	8 or 16
Selection Method	Push Button and Hot-Key (PS/2 and/or USB Keyboard), or On-Screen-Display (OSD) & Cascade Chain
LEDs	Host Selected LED (RED) HUB Selected LED (Green) Auto Switch & Auto Scan LED (Green)
Compliant with USB Version	USB1.0 / USB1.1 / USB2.0
Compliant with HID Version	USB HID 1.1 / 2.0
PC port Connectors	8 /16 RJ45 connector
PC Connectors	Video (KB/MS) Data transmit
Console	Keyboard Mouse Video Keyboard Mouse
Firmware upgrade connector	1 x Mini USB female
Serial port	1 x RS232 male
Ethernet port	1 x RJ45
Virtual Media port	1 x Mini USB female
Remote console screen resolution	Up to 1600 x 1200 @ 60Hz
DDC, DDC2 monitor	Yes(Max.Resolution:2048x1536 @85Hz)
Operating system supported	Win 98/98SE/ME/2000/XP/Vista/7, Mac OS9/X, Linux, Sun Micro OS
Device driver	Yes – IP Control AP
Hot Swappable	Yes
Power	By external power adaptor DC 5V 2A
Dimensions (L X W X H)	44 x 15.7 x 4.5 cm (17.3 x 6.1 x 1.5 inch)
Unit Weight	1810g
Housing material	Metal
Operating Temperature	0~ 50°C (32~ 122°F)
Storage temperature	-20~ 60°C (4~ 140°F)
Humidity	0%~80%RH

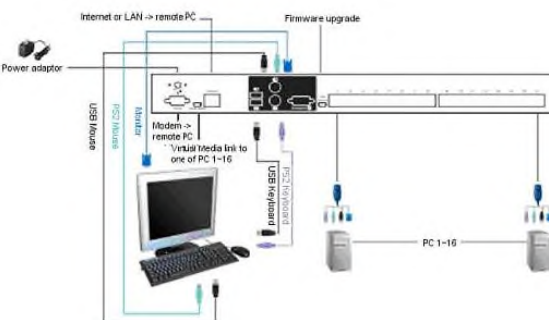
Packing List

1x RSK-4162-0CIP/4182-0CIP/4162-0C/4182-0C
8 or 16 CAT5 KVM Dongle, 1x Power Adaptor (12V/2A DC)
2x Rack Mount Bracket

Ordering Information

RSK-4182-0C	1U 19" Rack Mount 8-port Combo CAT 5 KVM switches
RSK-4162-0C	1U 19" Rack Mount 16-port Combo CAT 5 KVM switches
RSK-4182-0CIP	1U 19" Rack Mount 8-port Combo CAT 5 KVM switches over IP
RSK-4162-0CIP	1U 19" Rack Mount 16-port Combo CAT 5 KVM switches over IP
CBL-CAT5Dongle	USB/PS2 CAT 5 Dongle

Diagram



RSK-4182-0C
RSK-4162-0C
RSK-4182-0CIP
RSK-4162-0CIP